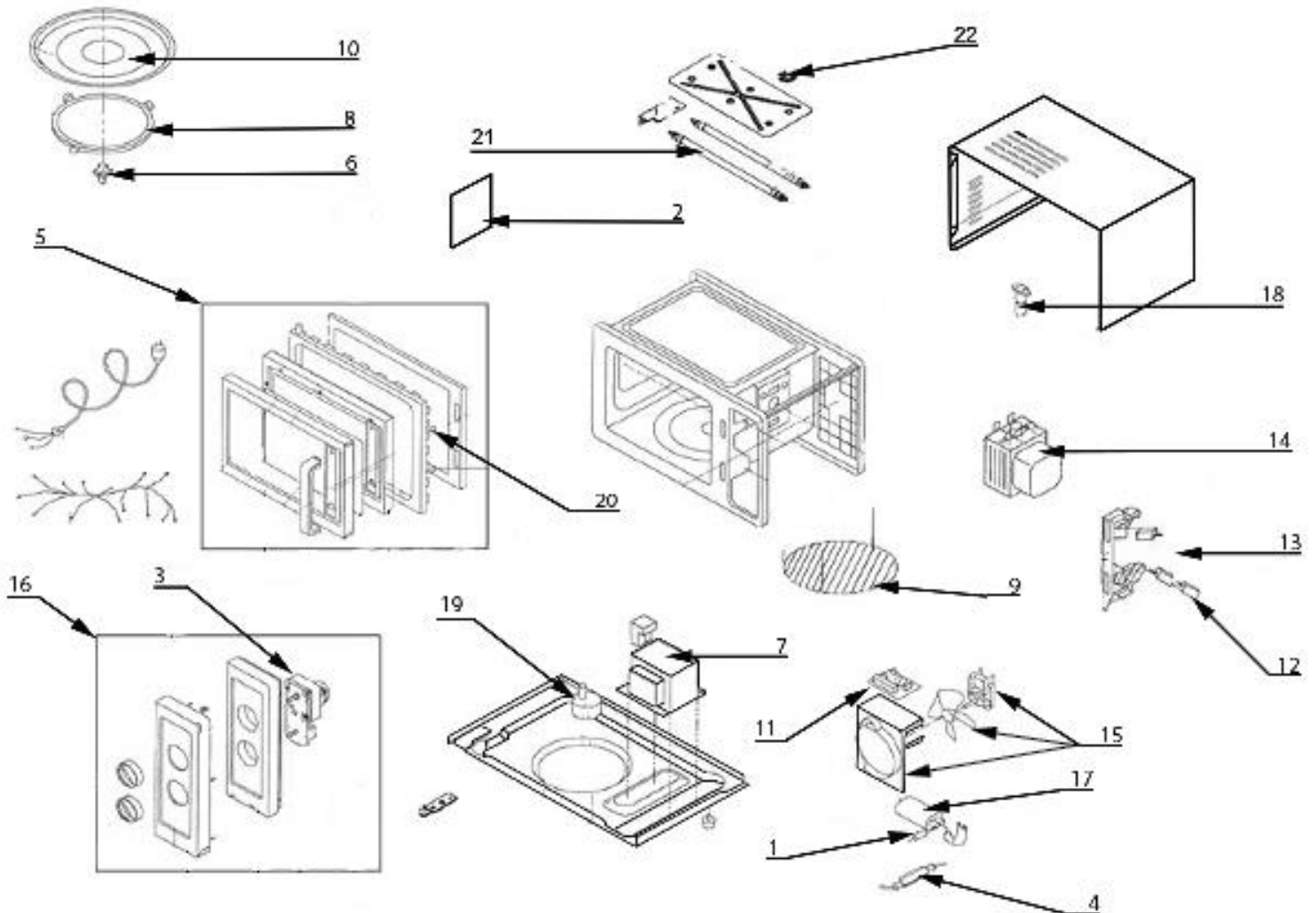


**Mikrowelle, 900 Watt, Abmessung 483 x 420 x 281 mm  
(BxTxH)****Katalog-Code: KE3001900**

Teilenummer (V abb.Teilenummer vom bild)	Name	Code
V775002V01-01	Diode	
V775002V01-02	Glimmerplatte	C007281
V775002V01-03	Stechuhr	C005725
V775002V01-04	Sicherung	C007900
V775002V01-05	Tür	C005717
V775002V01-06	Kupplung	C007170
V775002V01-07	Transformator	C005714
V775002V01-08	Reifen	C005708
V775002V01-09	Gitter	
V775002V01-10	Platte	C005718
V775002V01-11	Anti-Interferenz-Filter	C007283
V775002V01-12	Endschalter	
V775002V01-13	Schlossbuchse	c012230
V775002V01-14	Magnetron	C007284
V775002V01-15	Ventilator	C005726
V775002V01-16	Schalttafel	C000198
V775002V01-17	Kondensator (1.00uf)	
V775002V01-18	Glühbirne	C008159
V775002V01-19	Motor	C005728
V775002V01-20	Schloss	C007285
V775002V01-21	Heizelement	C007286
V775002V01-22	Sicherheitsthermostat	C005591